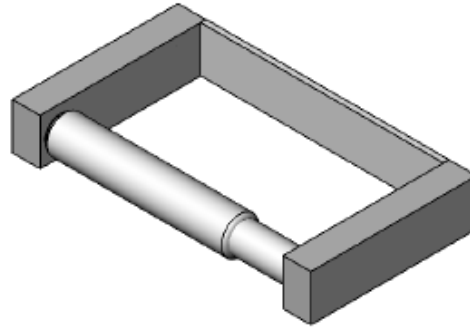


Features:
Unique Style
Durable finishes

D2 Series / Sereneti
Item #: D2.202
Paper Holder

Warranty:
Residential: Limited lifetime
Commercial use: 1 Year



- Finishes:
- Polished Chrome
 - Polished Nickel
 - Satin Nickel
 - Old World Bronze

